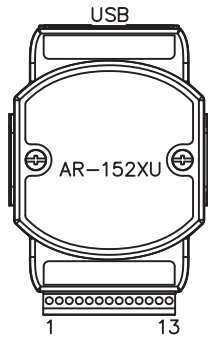


AR-1520U : Isolated USB to RS-485
 AR-1521U : Isolated USB to RS-422 / 485 / 232 Converter



Features

- Auto Tuner baud rate, 300~115200 bps
- 3000 VDC isolation protection
- ESD protection
- Power Inputs +10 ~ +30V DC
- Fully compliant with USB 1.1 / 2.0(Full Speed)
- No external power supply (Power from the USB bus)
- Driver support Windows 98 / ME / 2000 / XP / Vista (32-bit) / Linux / Window7 / Mac

Pin Assignments

	AR-1520U		AR-1521U	
	Terminal No.	Pin Assignment	Terminal No.	Pin Assignment
RS-485	1	DATA +	1	DATA +
	2	DATA -	2	DATA -
RS-422 / 485	3		3	TX +
	4		4	TX -
	5		5	RX+ / D2+
	6		6	RX- / D2-
RS-232	7		7	TXD
	8		8	RXD
	9		9	(B)GND
	10		10	(B)GND
	11		11	NC
	12		12	NC
	13		13	NC

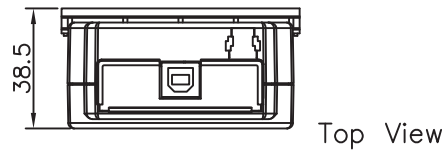
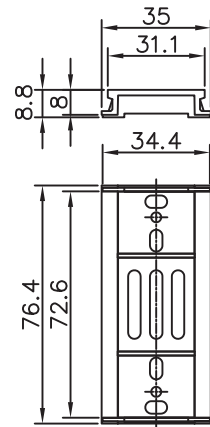
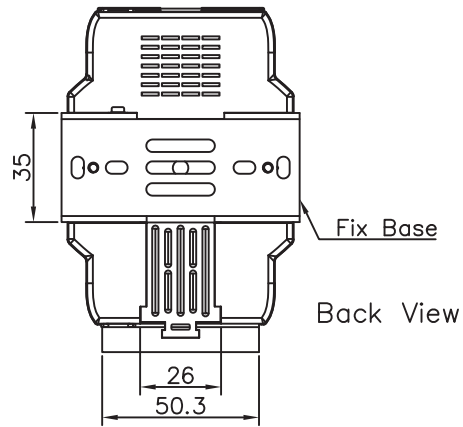
Introduction

The AR-1520U / AR-1521U module for transfer serial data via USB .Connecting the AR-1520U / AR-1521U to PC, you get RS-232 / 422 / 485 port. The AR-1520U / AR-1521U module power from the USB port and doesn't need any power adapter. It also features a high-speed 115.2K bps transmission rate, and supports various O.S. Independent RS-232 / 422 / 485 Port.

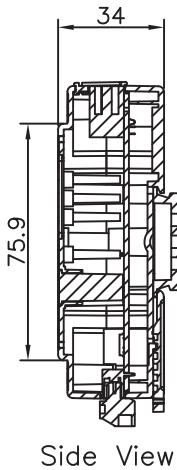
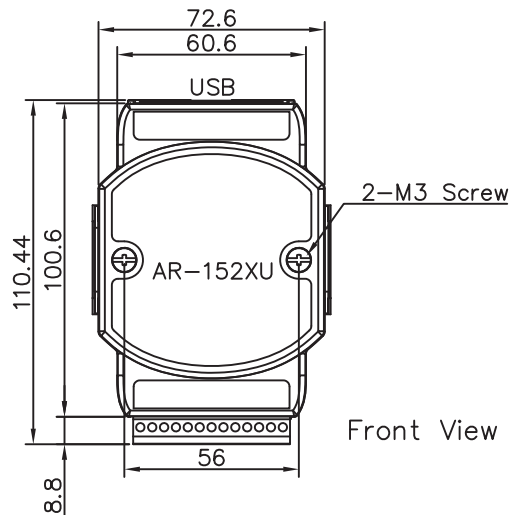
Specifications

Interface	
USB	Compatibility : USB 1.1 and 2.0 standard
AR-1520U / AR-1521U Interface	RS-232 : TxD, RxD, GND
	RS-422 / 485 (The RS-422 and RS-485 couldn't be used simultaneously)
	RS-485 : Data+, Data-
RS-422 / 485 Transfer distance	Max. 1,200 m for speed 9.6 K bps; Max. 400 m for speed 115.2 K bps
RS-485 Supports Max devices	Maximum of 256 devices(Without repeater).
Speed	300 ~ 115200 bps
Auto Tuner Asic inside	Yes.
Connection	Removable 13-pin Terminal Block (For RS-232 / 422 / 485), USB Type B
Include Cable	A / B Type USB Line; L : 1800mm*1
LED Display	1 LED as Power Indicator
Power consumption	+5 VDC From USB
	0.1A @ 5V = 0.5W, + / - 5%
Casing	
Mechanical	Plastic
Flammability	Fire Retardant Materials
Dimensions	110.44 mm x 76.4mm x 38.5mm
Installation	DIN-Rail
Environment	
Operating Temperature	-20°C ~ +75°C
Storage Temperature	-25°C ~ +80°C
Ambient Relative Humidity	10% ~ 90% RH, non-condensing

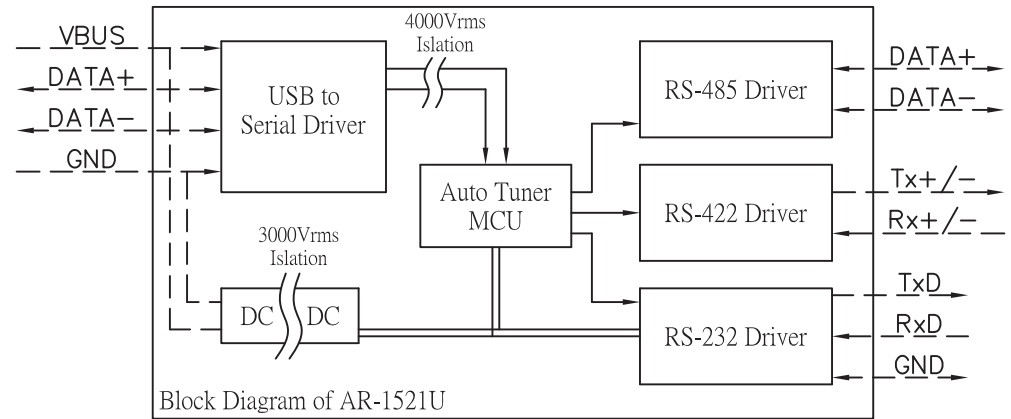
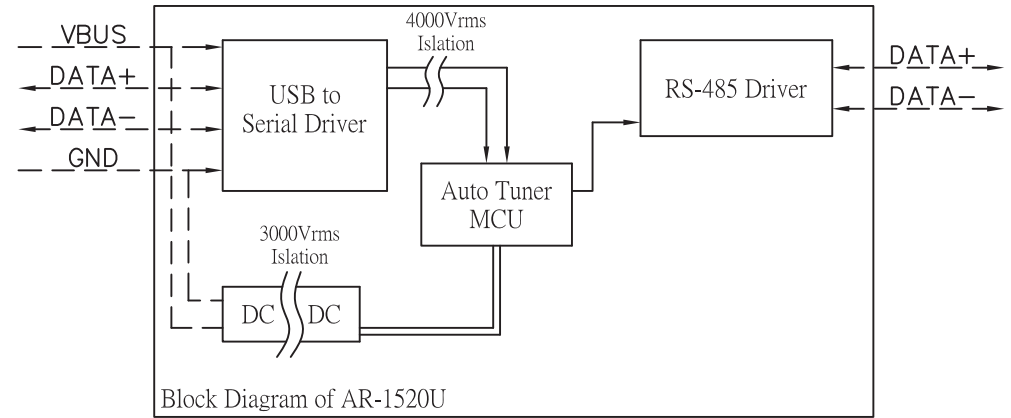
AR 1520U / 1521U Dimension



Unit : mm



Block Diagram



Ordering Information

- AR-1520 Isolated RS-232 to RS-485 Converter
- AR-1521 Isolated RS-232 to RS-422 / 485 / 232 Converter
- AR-1520U Isolated USB to RS-485 Converter
- AR-1521U Isolated USB to RS-422 / 485 / 232 Converter